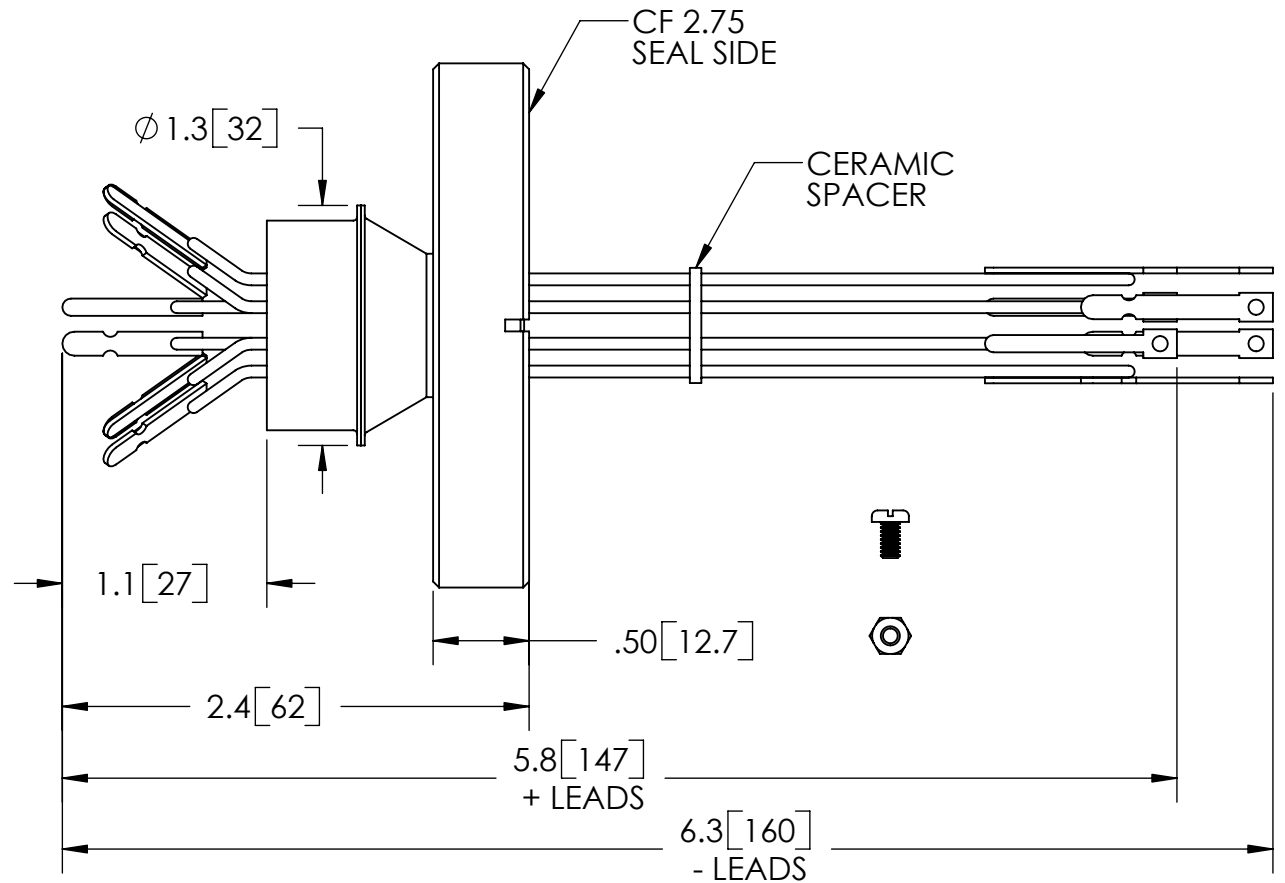


GLASS FILLED
NYLON PLUG
INCLUDED



PART NO.	CONDUCTOR MATERIAL	T/C TYPE
FA13184	CHROMEL / ALUMEL	K
FA13184-02	IRON / CONSTANTAN	J
FA13184-03	TUNGSTEN / RHENIUM*	C
FA13184-04	CHROMEL / CONSTANTAN	E

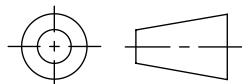
*TYPE C USES COMPENSATING WIRE
MAXIMUM JUNCTION TEMPERATURE 250°C

RATINGS	
CONDUCTOR MATERIAL:	SEE TABLE AT LEFT
T/C TYPE:	SEE TABLE AT LEFT
TEMPERATURE WITHOUT PLUG	-269°C TO 450°C
TEMPERATURE WITH PLUG	-29°C TO 218°C

PROPRIETARY AND CONFIDENTIAL

THE INFORMATION CONTAINED IN THIS DRAWING IS THE SOLE PROPERTY OF SOLID SEALING TECHNOLOGY. ANY REPRODUCTION IN PART OR AS A WHOLE WITHOUT THE WRITTEN PERMISSION OF SOLID SEALING TECHNOLOGY IS PROHIBITED.

THIRD ANGLE PROJECTION



TITLE: FIVE PAIR T/C SPADE TYPE
FEEDTHROUGH



SOLID SEALING TECHNOLOGY, INC.

SALES DWG NO. FA13184SL REV. C1

REV.	APP'D	DATE	SCALE 1:1	DIMENSIONS IN INCHES [mm]	DRAWN	MH	02/27/2006
C1	OG	07/25/2006	MPDP0025-0ST		ENG APPR.	MH	02/27/2006

PART NO. (SEE TABLE) REV. C