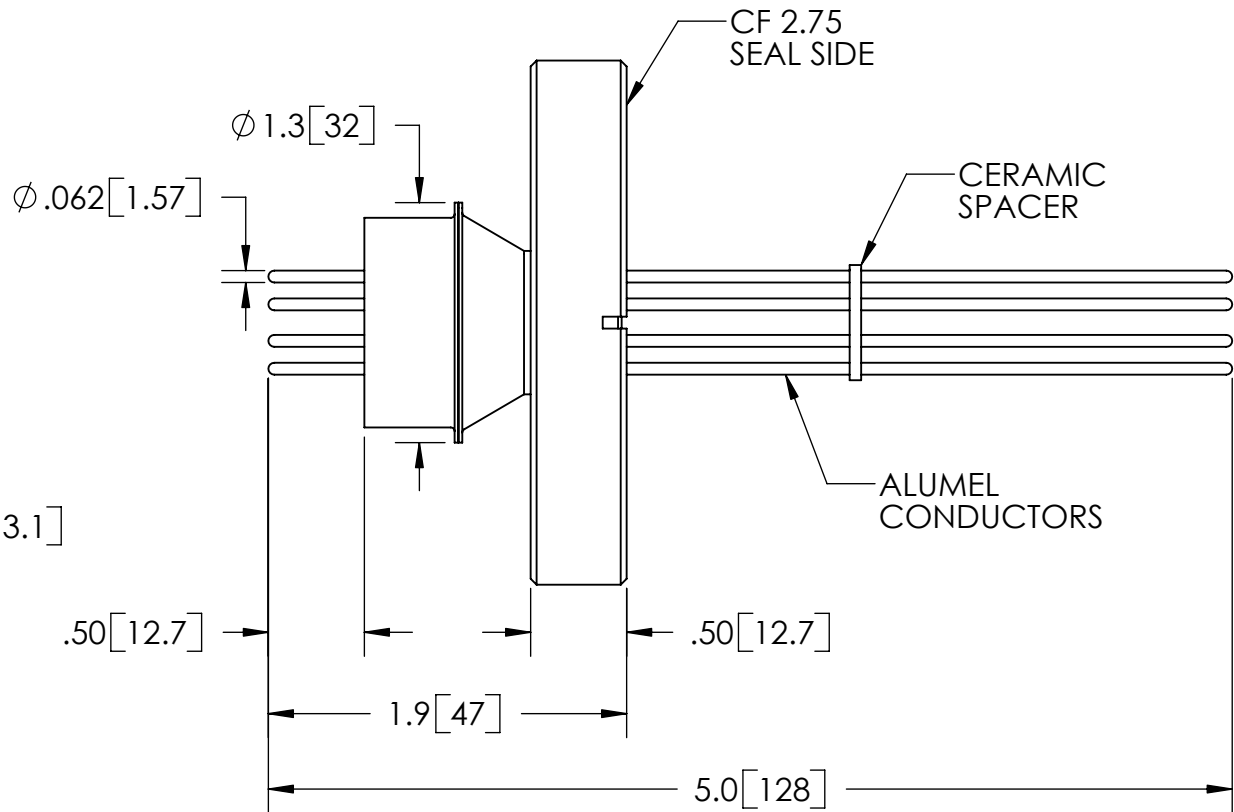


Ø.52 [13.1]



RATINGS	
VOLTAGE:	2KV DC
CURRENT:	4.8 AMPS
TEMPERATURE:	-269°C TO 450°C

PROPRIETARY AND CONFIDENTIAL

THE INFORMATION CONTAINED IN THIS DRAWING IS THE SOLE PROPERTY OF SOLID SEALING TECHNOLOGY. ANY REPRODUCTION IN PART OR AS A WHOLE WITHOUT THE WRITTEN PERMISSION OF SOLID SEALING TECHNOLOGY IS PROHIBITED.

THIRD ANGLE PROJECTION



TITLE:

TEN 2KV FEEDTHROUGHS



SOLID SEALING TECHNOLOGY, INC.

REV.	APP'D	DATE	SCALE 1:1	DIMENSIONS IN INCHES [mm]	DRAWN	JM	3/8/2006
A1	MH	08/28/2006	MPDP0047-02		ENG APPR.	MH	08/28/2006

PART NO. FA14261 REV. A

SALES DWG NO. FA14261SL REV. A1