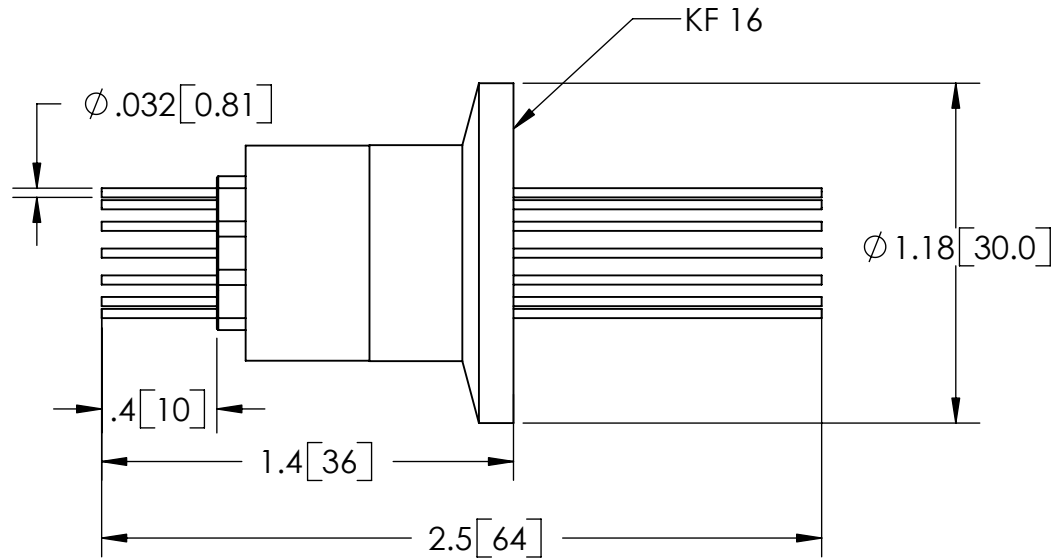


Ø .43 [10.9]



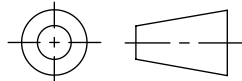
PART NO.	CONDUCTOR MATERIAL	CURRENT
FA11641	COPPER	16 AMPS
FA11641-02	MOLYBDENUM	8.5 AMPS
FA11641-03	NICKEL 200	5 AMPS
FA11641-04	304 STN STL	1.1 AMPS

RATINGS	
VOLTAGE:	1.5KV DC
CURRENT:	SEE TABLE AT LEFT
TEMPERATURE:	-25°C TO 205°C

PROPRIETARY AND CONFIDENTIAL

THE INFORMATION CONTAINED IN THIS DRAWING IS THE SOLE PROPERTY OF SOLID SEALING TECHNOLOGY. ANY REPRODUCTION IN PART OR AS A WHOLE WITHOUT THE WRITTEN PERMISSION OF SOLID SEALING TECHNOLOGY IS PROHIBITED.

THIRD ANGLE PROJECTION



TITLE:

EIGHT 1.5KV FEEDTHROUGHS



SOLID SEALING TECHNOLOGY, INC.

REV.	APP'D	DATE	SCALE 3:2	DIMENSIONS IN INCHES [mm]	DRAWN	JM	12/27/2005
A1	MH	03/16/2006	MPDC0008-0ST		ENG APPR.	MH	03/16/2006

PART NO. (SEE TABLE) REV. A

SALES DWG NO. FA11641SL REV. A1