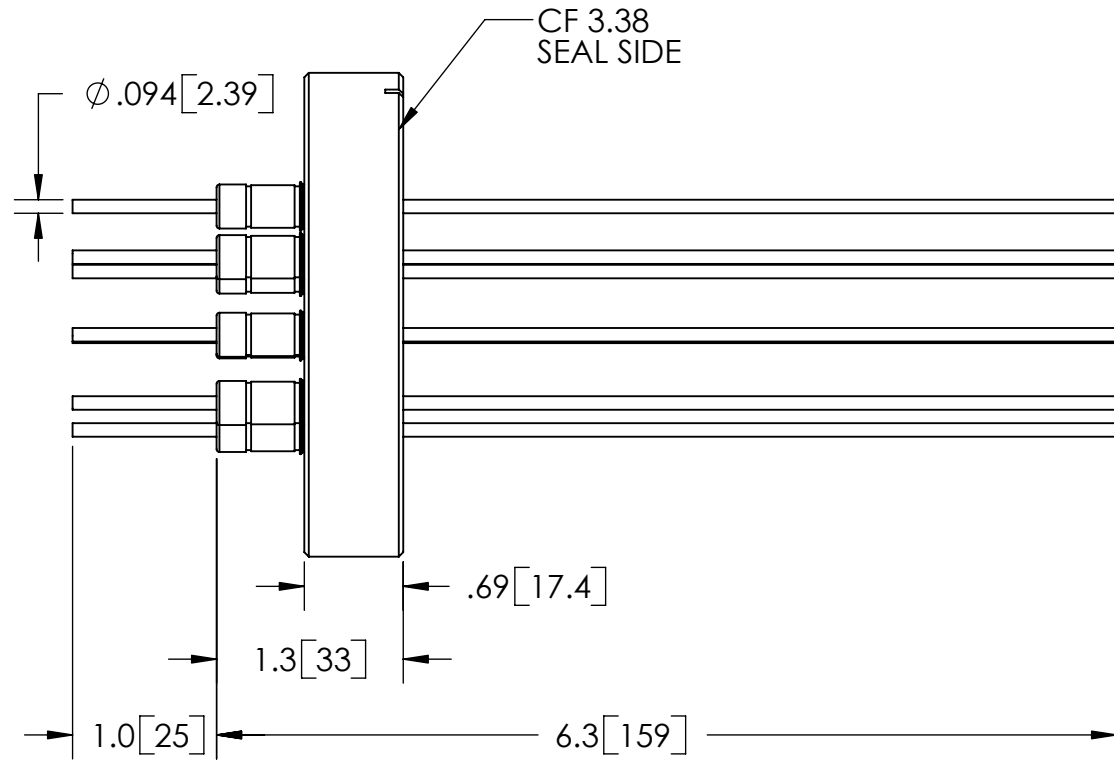


Ø 1.6 [41]



CF 3.38
SEAL SIDE

Ø .094 [2.39]

.69 [17.4]

1.3 [33]

1.0 [25]

6.3 [159]

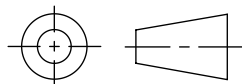
PART NO.	CONDUCTOR MATERIAL	CURRENT
FA13123	COPPER	55 AMPS
FA13123-02	MOLYBDENUM	28 AMPS
FA13123-03	NICKEL	16.5 AMPS
FA13123-04	304 STN STL	3.6 AMPS

RATINGS	
VOLTAGE:	5KV DC
CURRENT:	SEE TABLE AT LEFT
TEMPERATURE:	-269°C TO 450°C

PROPRIETARY AND CONFIDENTIAL

THE INFORMATION CONTAINED IN THIS DRAWING IS THE SOLE PROPERTY OF SOLID SEALING TECHNOLOGY. ANY REPRODUCTION IN PART OR AS A WHOLE WITHOUT THE WRITTEN PERMISSION OF SOLID SEALING TECHNOLOGY IS PROHIBITED.

THIRD ANGLE PROJECTION



TITLE:

TWELVE 5KV FEEDTHROUGHS



SOLID SEALING TECHNOLOGY, INC.

REV.	APP'D	DATE	SCALE 1:1.33333	DIMENSIONS IN INCHES [mm]	DRAWN	JM	2/22/2006
A1	MH	08/25/2006	MPST0042-02		ENG APPR.	MH	08/25/2006

PART NO. FA13123 REV. A

SALES DWG NO. FA13123SL REV. A1