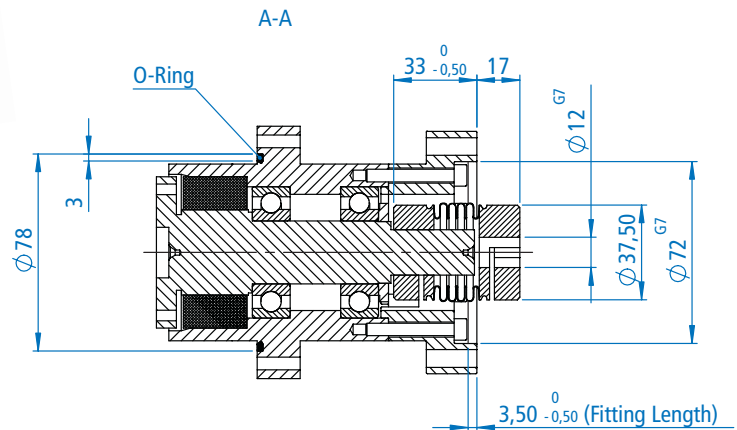




Feedthrough Set ATMK 16

Order no. 1020802



Technical Data Feedthrough Set		ATMK16-12
Order no.		1020802
Flange type		ALMA Flange
Max. speed		2,000 min ⁻¹
Vacuum pressure		to 10 ⁻⁸ mbar
Leakage rate		< 1 x 10 ⁻⁸ mbar x l/s
Max.torque capacity*		16.00 Nm
Moment of friction		0.5 Nm
Temperature range		20-90°C
Weight in kg		5.000
Max. axial load on shaft **	F _{a1}	300.00 N
	F _{a2}	300.00 N
Max. radial load on shaft**	F _{r1}	300.00 N
Bearing		Lifetime lubrication
Feedthrough housing		Stainless steel
Feedthrough shaft		Stainless steel, magnetic
Shaft material		Aluminium

* Basis of the torque calculation is the coupling torque.

** Basis for torque capacity calculation are average values. Calculation values for max. load cover 95 % of all applications. ALMA offers individual calculations for all unusual applications

Technical Data Coupling		
Hub		Stainless steel
Bellow		Stainless steel
Torsional Stiffness		11,0 x 10 ³ Nm/rad
Tightening torque screw		3,5 Nm
Hub diameter motor side		12 mm

Delivery-/ Spare parts	Types	Order no.
Feedthrough	ALMA-M-AF-060-A-U	1019198
Motor Cone		1020533
Metal Bellow Coupling	ATMK 16-12-18 L50	0602867
O-Ring	70x3 80 FPM	1020287

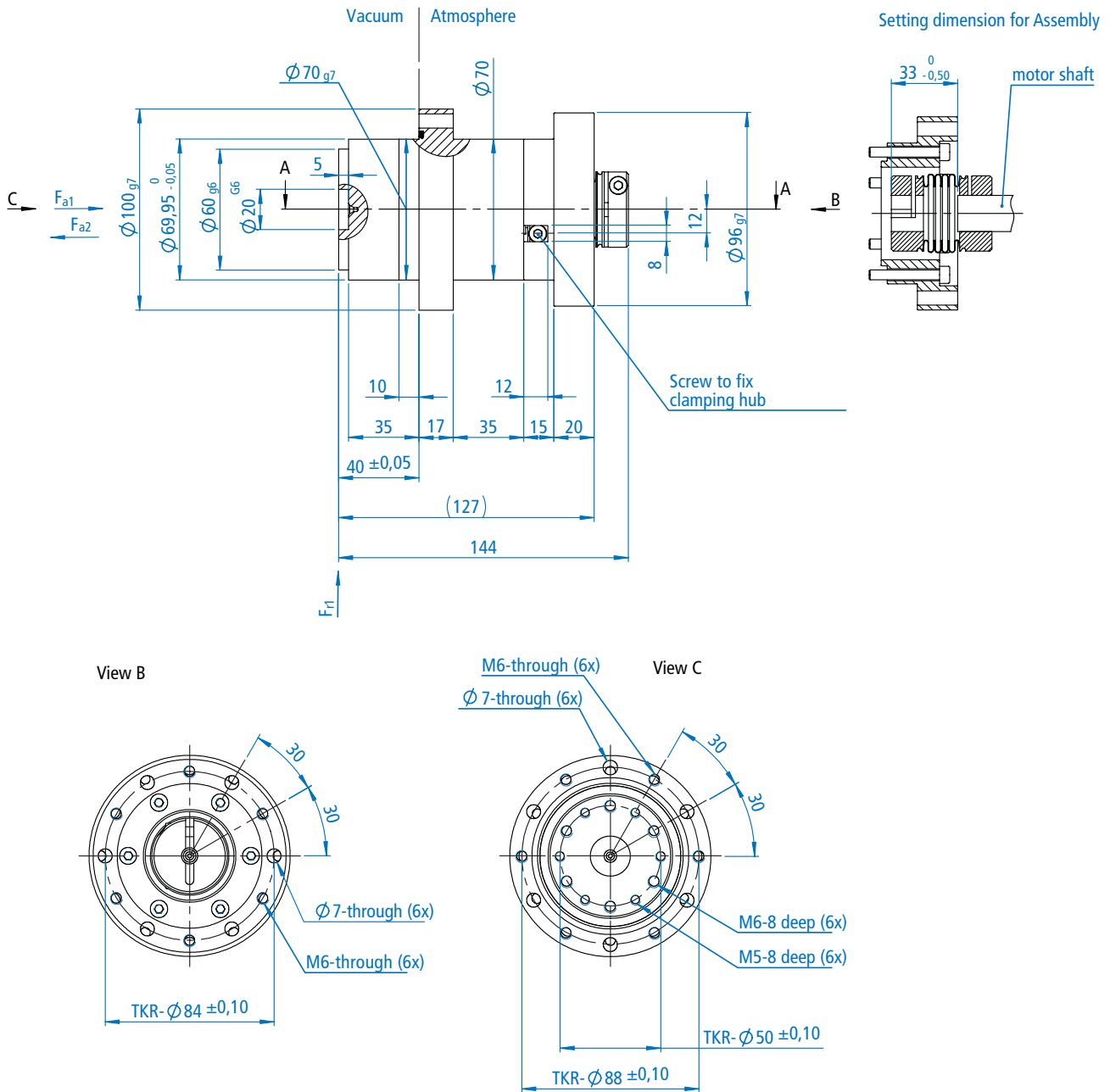
* The vacuum screws illustrated are not part of delivery, as they are dependent on the motor flange size. You can easily choose the right vacuum screws from our large selection.





Feedthrough Set ATMK 16

Order no. 1020802



ALMA driving elements GmbH
 Obere Heeg 5
 D-97852 Schollbrunn
 T+49 (0) 93 94/97 00 - 0
 F+49 (0) 93 94/97 00 - 50
 info@alma-driving.de
 www.alma-driving.de

Part.No. 1020802
 09/2002
 Änderungen vorbehalten
 © by ALMA driving elements