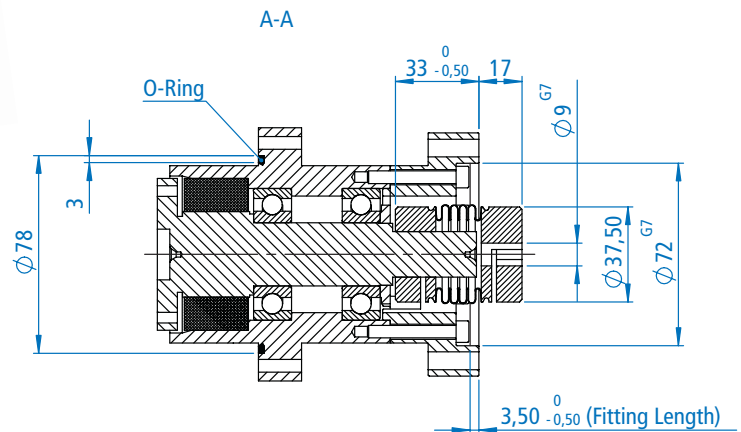




## Feedthrough Set ATMK 16

Order no. 1020799



Technical Data Feedthrough Set		ATMK16-9
Order no.		1020799
Flange type		ALMA Flange
Max. speed		2,000 min <sup>-1</sup>
Vacuum pressure		to 10 <sup>-8</sup> mbar
Leakage rate		< 1 x 10 <sup>-8</sup> mbar x l/s
Max.torque capacity*		16.00 Nm
Moment of friction		0.5 Nm
Temperature range		20-90°C
Weight in kg		5.000
Max. axial load on shaft **	F <sub>a1</sub>	300.00 N
	F <sub>a2</sub>	300.00 N
Max. radial load on shaft**	F <sub>r1</sub>	300.00 N
Bearing		Lifetime lubrication
Feedthrough housing		Stainless steel
Feedthrough shaft		Stainless steel, magnetic
Shaft material		Aluminium

\* Basis of the torque calculation is the coupling torque.

\*\* Basis for torque capacity calculation are average values. Calculation values for max. load cover 95 % of all applications. ALMA offers individual calculations for all unusual applications

Technical Data Coupling		
Hub		Stainless steel
Bellow		Stainless steel
Torsional Stiffness		11,0 x 10 <sup>3</sup> Nm/rad
Tightening torque screw		3,5 Nm
Hub diameter motor side		9 mm

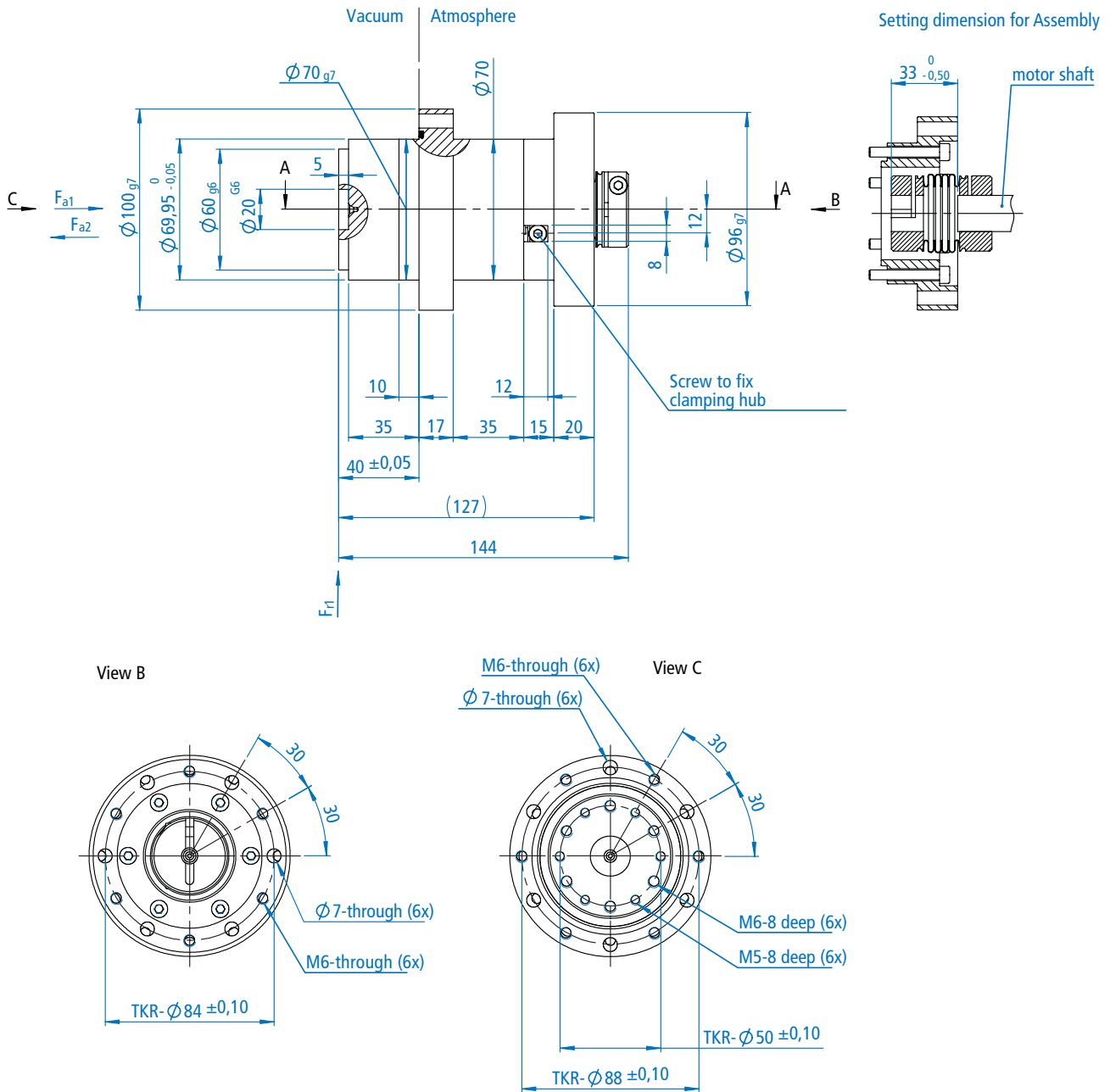
Delivery-/ Spare parts	Types	Order no.
Feedthrough	ALMA-M-AF-060-A-U	1019198
Motor Cone		1020533
Metal Bellow Coupling	ATMK 16-9-18 L50	0602856
O-Ring	70x3 80 FPM	1020287

\* The vacuum screws illustrated are not part of delivery, as they are dependent on the motor flange size. You can easily choose the right vacuum screws from our large selection.



## Feedthrough Set ATMK 16

Order no. 1020799



ALMA driving elements GmbH  
 Obere Heeg 5  
 D-97852 Schollbrunn  
 T+49 (0) 93 94/97 00 - 0  
 F+49 (0) 93 94/97 00 - 50  
 info@alma-driving.de  
 www.alma-driving.de

Part.No. 1020799  
 09/2002  
 Änderungen vorbehalten  
 © by ALMA driving elements